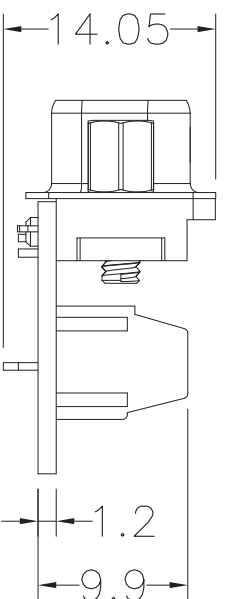
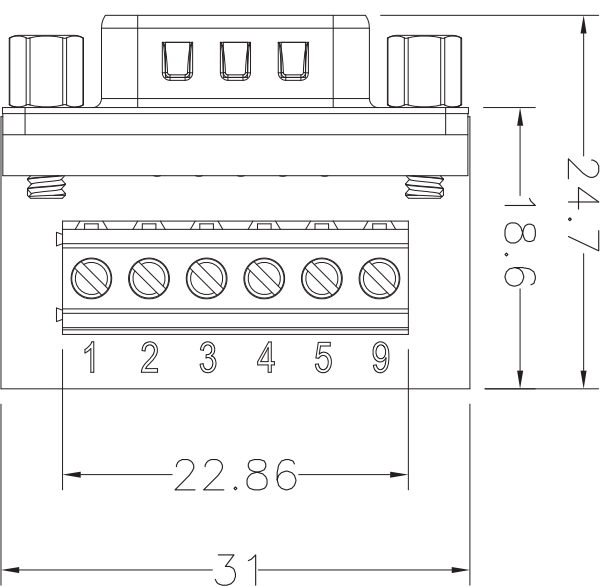
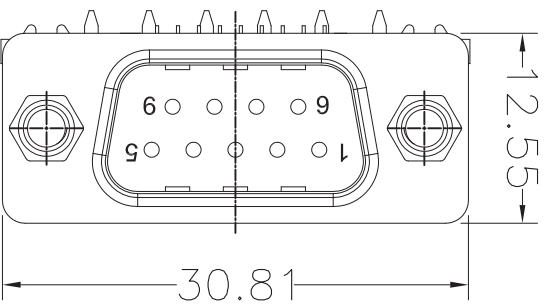
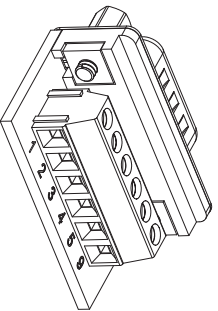
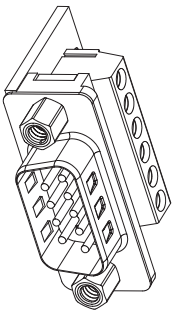


Wire Map	
DB9 Female	Terminal Block
1	1
2	2
3	3
4	4
5	5
6	-
7	-
8	-
9	9
SHL	SHL



Partname:
Adapter DB9 Male to 6P Terminal Block

Electrical Character:

- 1> 100% open&short testing
- 2> With understanding voltage:DC 300 V 0.01 Sec.
- 3> Insulation Resistance: 10M Ohm (Min)
- 4> Conductive Resistance: 2 Ohm(Max)

Material:

- 1> PCB: FR4

Dat	2014 / 02 / 17
Unit	mm
Projection	A
Rev	

DLOCK we move the world	
Title: Adapter Sub-D 9 pin male > Terminal block 6 pin	
Item no.	65499
Barcode	4043619654994
File No.	88066